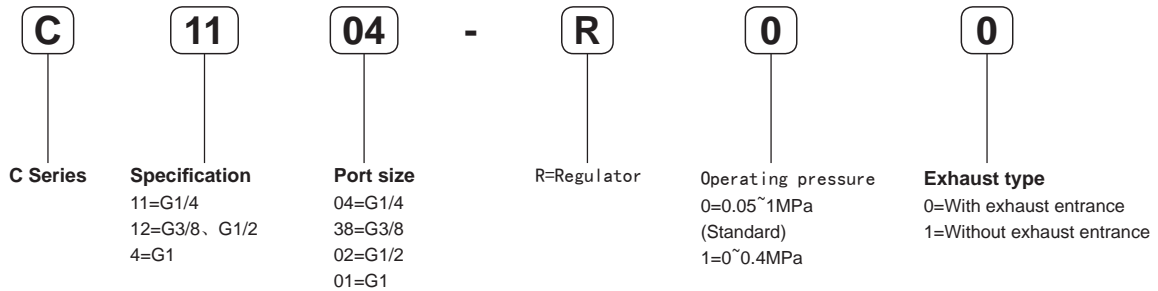


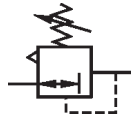
## C Series Regulator



### Ordering code



### Symbol



### Specifications

Structure type	Compact type, diaphragm type				
Material	Al-alloy based body nylon handle NBR seals				
Port size	G1/4	G3/8	G1/2	G1	
Weight	0.400	0.470	0.460	1.680	kg
Pressure gauge port size	G1/8	G1/8	G1/8	G1/4	
Installation type	Tube and board connection ,bracket or wall installation				
Operating temperature	0~50℃				
Surface coat	Painted				
Inlet pressure	0~1.6MPa				
Outlet pressure	0.05~1MPa				



VOGUE PNEUMATICS

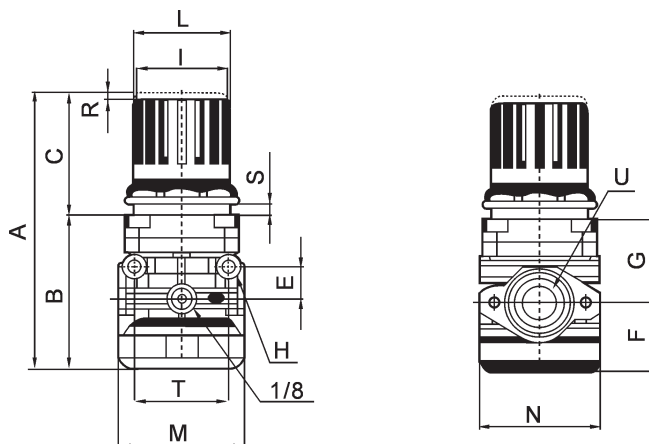
Ningbo Vogue Pneumatics Industry Co.,Ltd.

● Dimensions

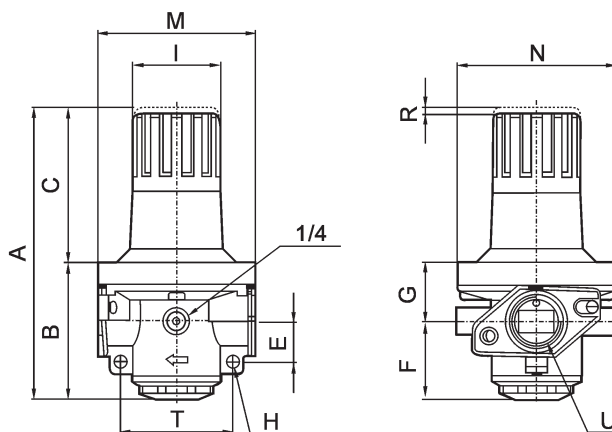
C1104-R00

C1238-R00

C1202-R00



C401-R00



Model	A	B	C	E	F	G	H	I	L	M	N	R	S	T	U
C1104-R00	94	55	39	11	28	28	5	28	30×1.5	45	45	3	0-6	35	G1/4
C1238-R00	134	75	59	15	34	41	6	45	47×1.5	62	59	3.5	0-9	46	G3/8
C1202-R00	134	75	59	15	34	41	6	45	47×1.5	62	59	3.5	0-9	46	G1/2
C401-R00	203.5	95.5	108	28	54	40	8	60	-	110	110	5	-	78	G1